

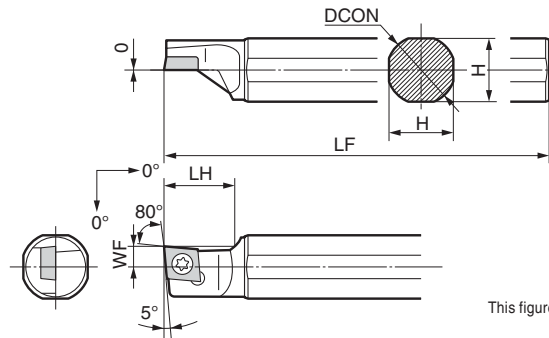
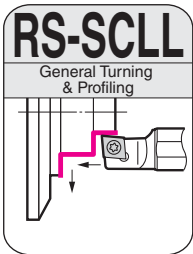
# SEC-Round Shank Holders RS-SCLL Type



## Characteristics

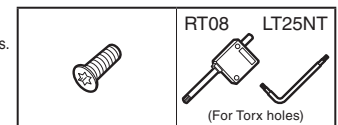
- The  $\varnothing 14$  to 25 mm shank diameter holders were made into standard stock items, and are able to fit on sleeve toolposts of other machine manufacturers.
- They also fit on back side sleeve toolposts, expanding the range of tooling.

## Front Turning



This figure shows left handed tools.

## Parts



## Holders

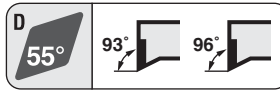
Dimensions (mm)

Cat. No.	Stock	Diameter		Length	Cutting edge distance	Stem		Applicable inserts	Screw	Wrench
		DCON	H			WF	LH			
RS15H-SCLL06	●	15.875	15	100	6.0	20		CC□□0602	BFTX02507NT	RT08
RS19X-SCLL06	●	19.05	18	120	6.0	20				
RS20X-SCLL06X	●	20	19	95	6.0	20				
RS20X-SCLL06	●	20	19	120	6.0	20				
RS22X-SCLL06	●	22	21	120	6.0	20				
RS25X-SCLL06	●	25	24	120	6.0	20				
RS25M-SCLL06	●	25.4	24	150	6.0	20				
RS15H-SCLL09	●	15.875	15	100	6.0	20		CC□□09T3	BFTX0408NT	LT25NT
RS19X-SCLL09	●	19.05	18	120	6.0	20				
RS20X-SCLL09S	●	20	19	95	6.0	20				
RS20X-SCLL09	●	20	19	120	6.0	20				
RS22X-SCLL09	●	22	21	120	6.0	20				
RS25X-SCLL09	●	25	24	120	6.0	20				
RS25M-SCLL09	●	25.4	24	150	6.0	20				

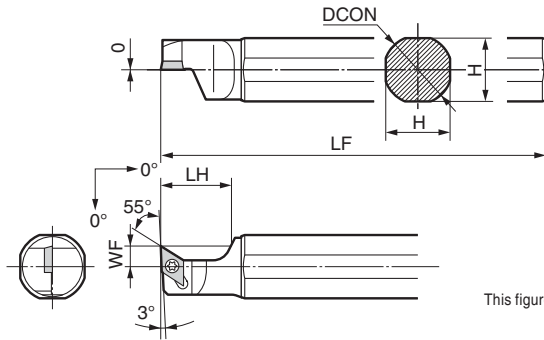
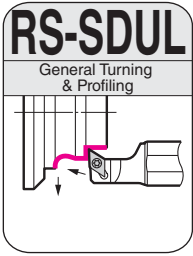
Note: Right handed (R) and neutral (N) inserts are applicable. [Insert lists](#) [From D20](#)

# SEC-Round Shank Holders

## RS-SDUL Type / RS-SDXL Type



### Front Turning



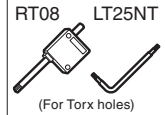
This figure shows left handed tools.

#### ■ Holders

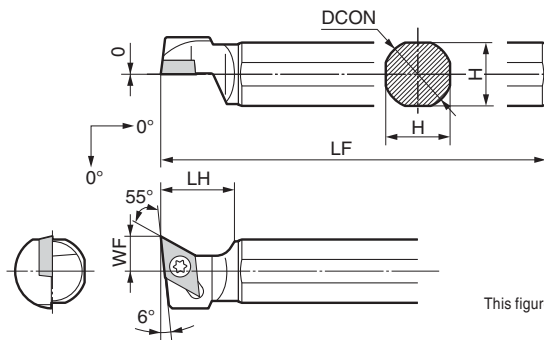
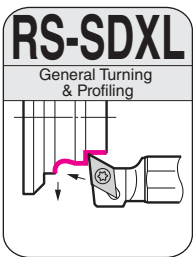
Dimensions (mm)

Cat. No.	Stock	Diameter		Length	Cutting edge distance	Stem	Applicable inserts	Screw	Wrench
		DCON	H						
RS14F -SDUL07	●	14	13	80	6.0	20	DC□□0702	BFTX02507NT	RT08
RS15H -SDUL07	●	15.875	15	100	6.0	20			
RS16F -SDUL07	●	16	15	80	6.0	20			
RS16X -SDUL07	●	16	15	120	6.0	20			
RS19X -SDUL07	●	19.05	18	120	6.0	20			
RS20X -SDUL07S	●	20	19	95	6.0	20			
RS20X -SDUL07	●	20	19	120	6.0	20			
RS22X -SDUL07	●	22	21	120	6.0	20	DC□□11T3	BFTX0410NT	LT25NT
RS19X -SDUL11	●	19.05	18	120	10.0	20			
RS20X -SDUL11S	●	20	19	95	10.0	20			
RS20X -SDUL11	●	20	19	120	10.0	20			
RS22X -SDUL11	●	22	21	120	10.0	20			
RS25X -SDUL11	●	25	24	120	10.0	20			
RS25M -SDUL11	●	25.4	24	150	10.0	20			

#### ■ Parts



Note: Right handed (R) and neutral (N) inserts are applicable. [Insert lists](#) [From D24](#)



This figure shows left handed tools.

#### ■ Holders

Dimensions (mm)

Cat. No.	Stock	Diameter		Length	Cutting edge distance	Stem	Applicable inserts	Screw	Wrench
		DCON	H						
RS19X -SDXL11	●	19.05	18	120	10.0	20	DC□□11T3	BFTX0410NT	LT25NT
RS20X -SDXL11S	●	20	19	95	10.0	20			
RS20X -SDXL11	●	20	19	120	10.0	20			
RS25X -SDXL11	●	25	24	120	10.0	20			

#### ■ Parts



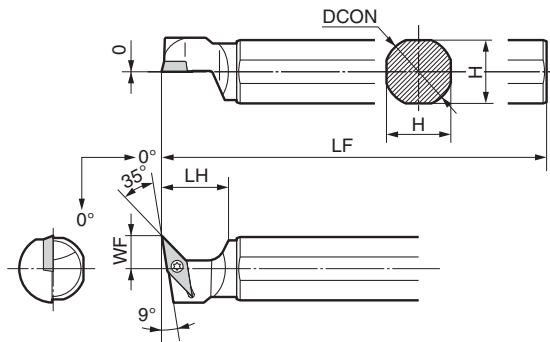
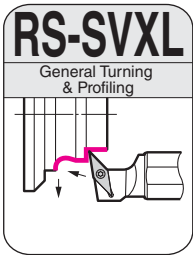
Note: Right handed (R) and neutral (N) inserts are applicable. [Insert lists](#) [From D24](#)



# SEC-Round Shank Holders

## RS-SVXL<sub>Type</sub> / RS-SVVP<sub>Type</sub> / RS-PTXN<sub>Type</sub>

### Front Turning



#### Parts

This figure shows left handed tools.

Screw	(For Torx holes) Wrench
VC□□1103	BFTX02507NT RT08

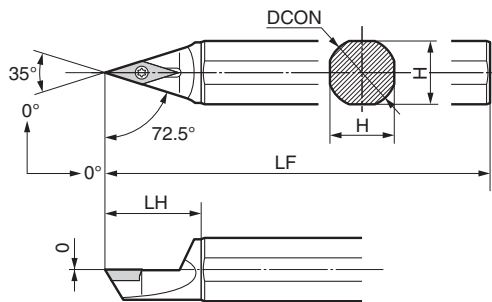
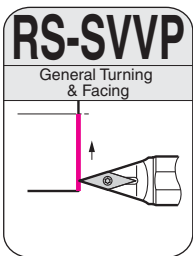
#### Holders

Dimensions (mm)

Cat. No.	Stock	Diameter		Length	Cutting edge distance	Stem		Applicable inserts	Screw	Wrench
		DCON	H			LF	LH			
RS15H-SVXL11	●	15.875	15	100	10.0	20		VC□□1103	BFTX02507NT	RT08
RS19X-SVXL11	●	19.05	18	120	10.0	20				
RS20X-SVXL11S	●	20	19	95	10.0	20				
RS20X-SVXL11	●	20	19	120	10.0	20				
RS22X-SVXL11	●	22	21	120	10.0	20				
RS25X-SVXL11	●	25.4	24	150	10.0	20				

Note: Right handed (R) and neutral (N) inserts are applicable.

Insert lists **D32**



#### Parts

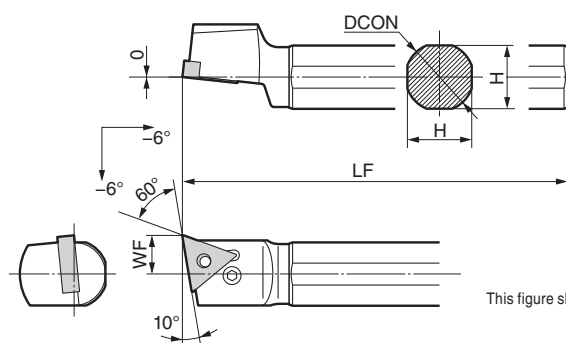
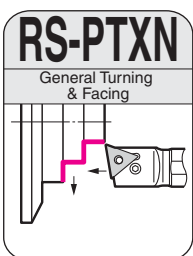
Screw	(For Torx holes) Wrench
VP□□1103	BFTX02507NT RT08

#### Holders

Dimensions (mm)

Cat. No.	Stock	Diameter		Length	Stem	Applicable inserts	Screw	Wrench
		DCON	H					
RS19X-SVVPN11	●	19.05	18	120	27	VP□□1103	BFTX02507NT	RT08
RS22X-SVVPN11	●	22	21	120	27			

Insert lists **D33**



#### Parts

Lever pin	Bolt	Wrench
TN□□1604	LCL33NT LCS33NT	LH020NT

#### Holders

Dimensions (mm)

Cat. No.	Stock	Diameter		Length	Cutting edge distance	Applicable inserts	Lever pin	Bolt	Wrench
		DCON	H						
RS19X-PTXNL16	●	19.05	18	120	11.0	TN□□1604	LCL33NT	LCS33NT	LH020NT
RS20X-PTXNL16	●	20	19	120	11.0				
RS25M-PTXNL16	●	25.4	24	150	13.0				

Note: Right handed (R) and neutral (N) inserts are applicable.

Insert lists **From B56**